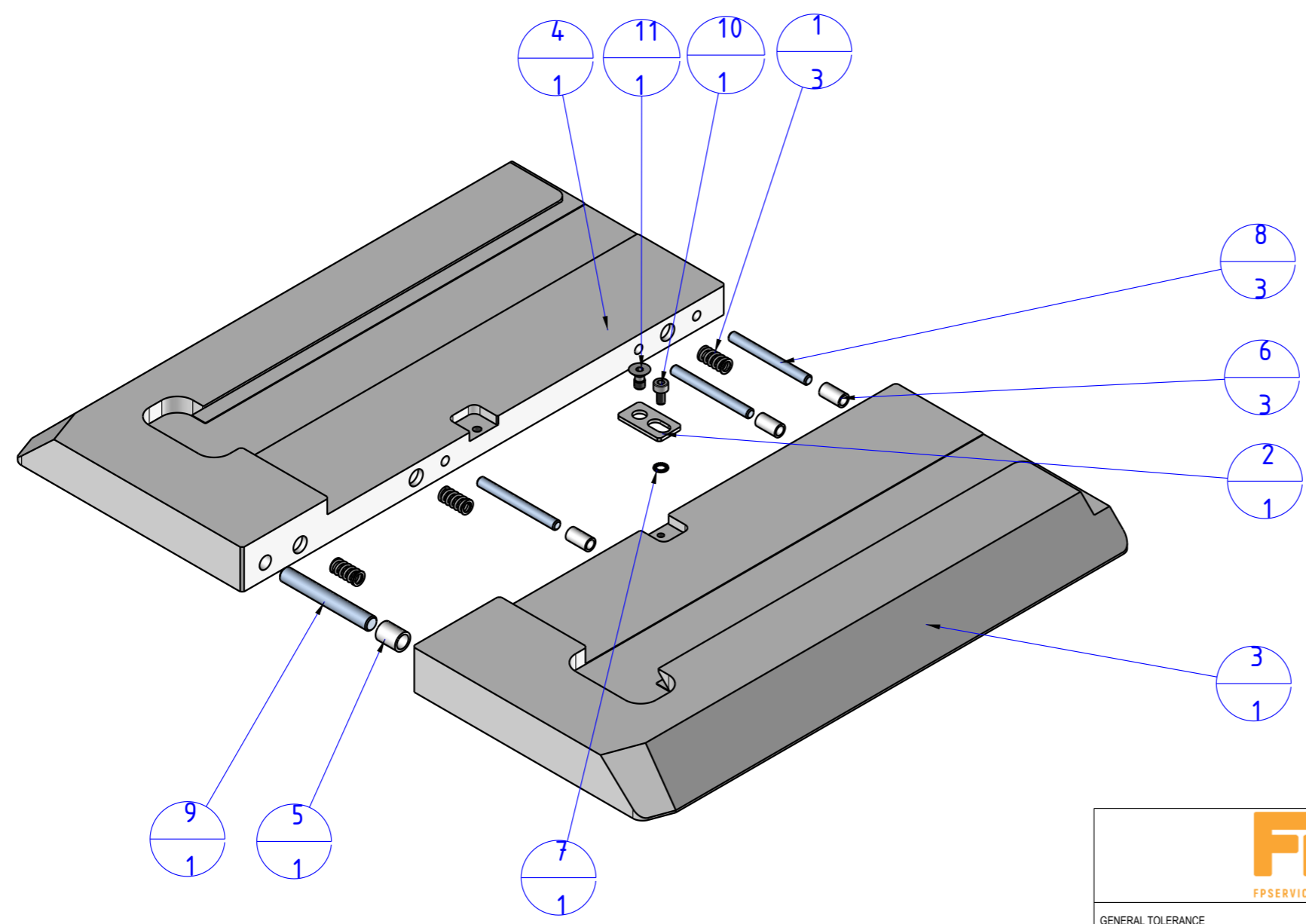
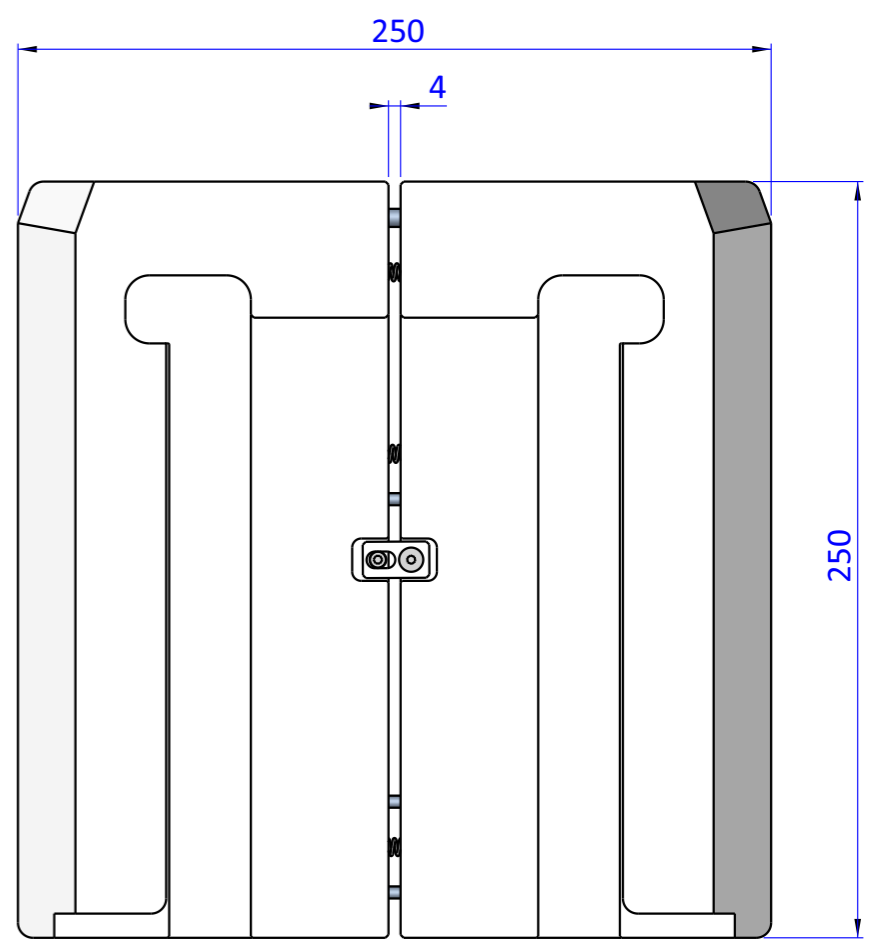
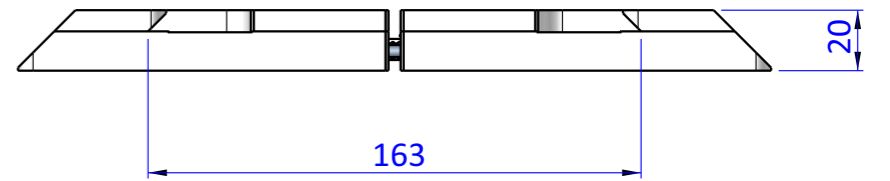

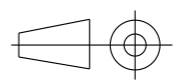


THE PROPERTY OF THE DRAWING IS ESTABLISHED BY LAW. IT IS FORBIDDEN TO PRODUCE OR SHOW IT TO THIRD PART. WITHOUT A WRITTEN AGREEMENT.

Item	Name	Q.ty
1	DIM.11860	3
2	GPR1.0.3	1
3	GPR3.2.1	1
4	GPR3.2.2	1
5	PAP.060810	1
6	PAP.0405510	3
7	R.3.SCH	1
8	SP.4X40	3
9	SP.6X45	1
10	V.TCE3x6	1
11	V.TSP4x8	1



Format A3  
UNI 936-76

 <b>FPS</b> FPSERVICES AUTOMATION			DESIGNED FROM <b>FPS Automation</b>	REVIEW <b>A</b>
GENERAL TOLERANCE UNI - ISO 2768 CLASSE f	DESCRIPTION <b>CA.GPR3.2</b>	DATE -	WEIGHT <b>2,441kg</b>	CODE <b>CA.GPR3.2</b>